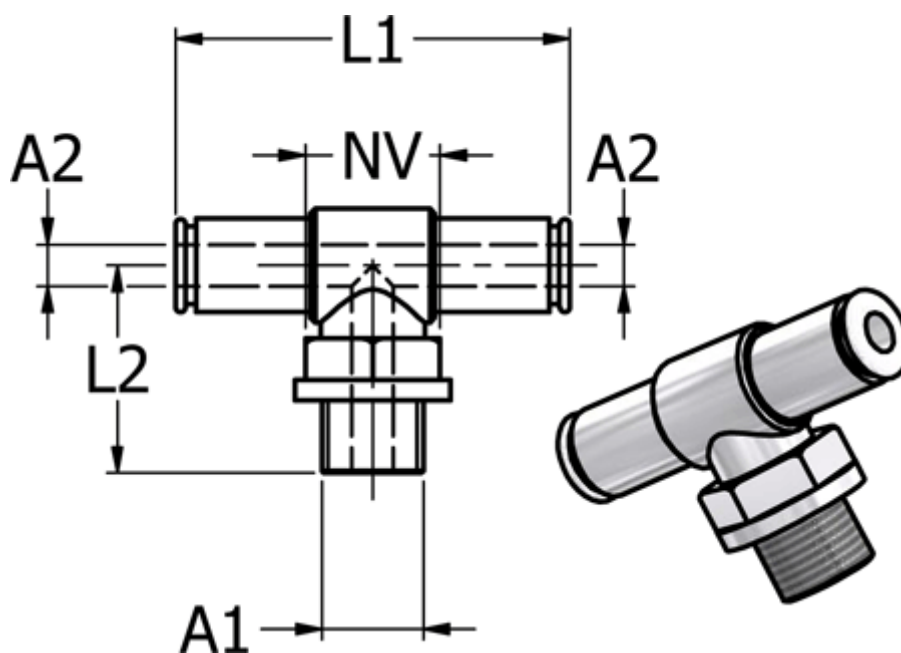


Article number: 5868550146

Description: Metal Push-in fitting 855.014-6, Ø6 / G 1/4" / Ø6  
Tee with FPM O-ring

## Measures



Ext. hose diameter A2	= 6
L1	= 43
L2	= 24
NV	= 13
Thread A1	= G 1/4"